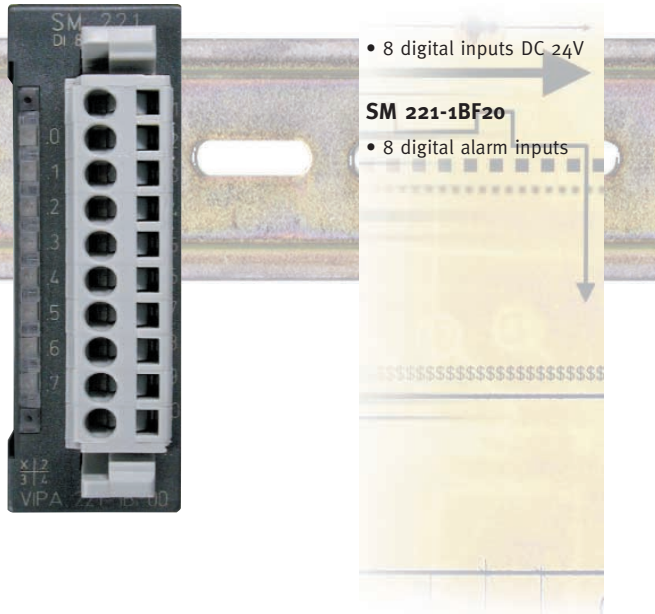


Digital input SM 221
DC 24V / DC 24V 0.2ms / DC 24V ALI / DC 24V Alarm



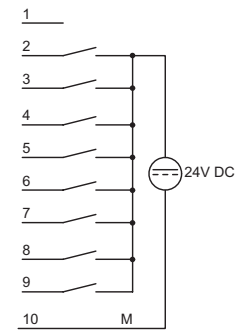
Order No.	Type
-----------	------

VIPA 221-1BF00	DI 8xDC 24V
VIPA 221-1BF10	DI 8xDC 24V 0.2ms
VIPA 221-1BF20	DI 8xDC 24V alarm
VIPA 221-1BF50	DI 8xDC 24V active low input

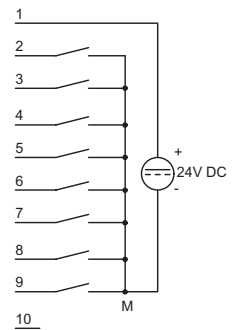
Technical Data	-1BF00	-1BF10	-1BF20	-1BF50
----------------	--------	--------	--------	--------

Nominal input voltage	DC 24V			
Number of inputs	8 (Alarm)			
Input data	1Byte			
Input voltage at "1"	DC 15...30V		DC 0...5V	
Input voltage at "0"	DC 0...5V		DC 15...30V	
Delay time	3ms	0,2ms	3ms	3ms
Supply voltage int. bus	5V			
Current cons. int. bus	20mA	20mA	140mA	20mA

-1BF00/-1BF10/-1BF20



-1BF50



Digital input SM 221
AC/DC 60/90...230V / AC/DC 24...48V



- 4 digital inputs AC/DC 90...230V, floating
- 8 digital inputs AC/DC 60...230V / 24...48V

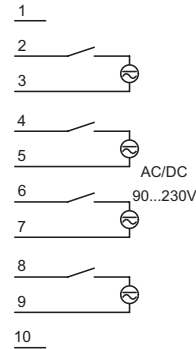


Order No.	Type
-----------	------

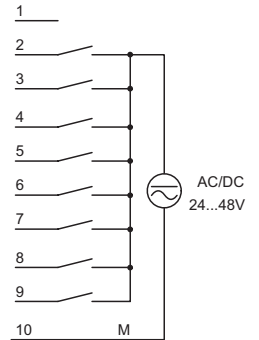
VIPA 221-1FD00	DI 4xAC/DC 90...230V floating
VIPA 221-1FF20	DI 8xAC/DC 60...230V
VIPA 221-1FF30	DI 8xAC/DC 24...48V

Technical Data	-1FD00	-1FF20	-1FF30
Nominal input voltage	AC/DC		
	90...230V	60...230V	24...48V
Number of inputs	4	8	8
Channels floating	yes	--	--
Input data	1Byte		
Input voltage at "1"	DC 90...230VDC	60...230VDC	18...48V
Input voltage at "0"	DC 0...35V	DC 0...35V	DC 0...8V
Delay time	25ms		
Supply voltage int. bus	5V		
Current consumption int. bus	80mA		

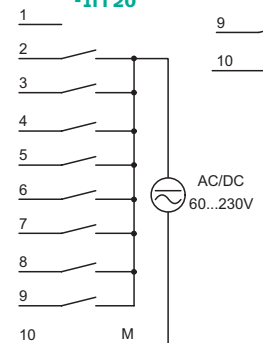
-1FD00



-1FF30



-1FF20





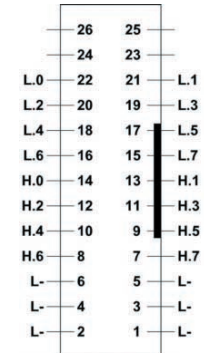
- 16 digital inputs DC 24V
- LEDs for status display at terminal module
- Connection to external terminal module (UB48, UB48D) via round cable for lengths up to 30m



Order No.	Type
VIPA 221-1BH00	DI 16xDC 24V
VIPA 221-1BH50	DI 16xDC 24V active low input
VIPA DEA-UB48	External terminal module 1pole
VIPA DEA-UB48D	External terminal module 3pole
VIPA KB91C	Round cable 2m (max. length 30m)

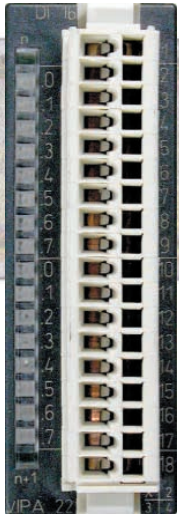
Technical Data	-1BH00	-1BH50
Nominal input voltage	DC 24V	
Number of inputs	16	
Input data	2Byte	
Input voltage at "1"	DC 15...30V	DC 0...5V
Input voltage at "0"	DC 0...5V	DC 15...30V
Delay time	3ms	
Supply voltage int. bus	5V	
Current consumption int. bus	20mA	

-1BH00/-1BH50

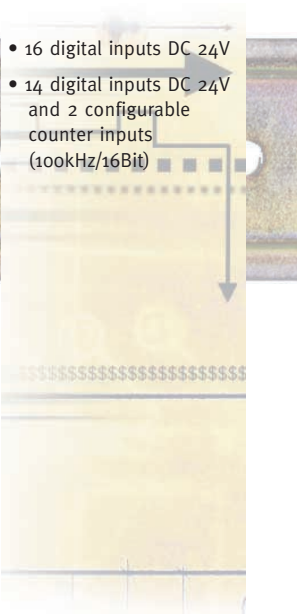


L.x = Low-Byte, Bit-Nr.x
H.x = High-Byte, Bit-Nr.x
L+ = Verspannung DC 24V
L- = Masse DC 24V

Digital input SM 221
DC 24V /DC 24V Counter



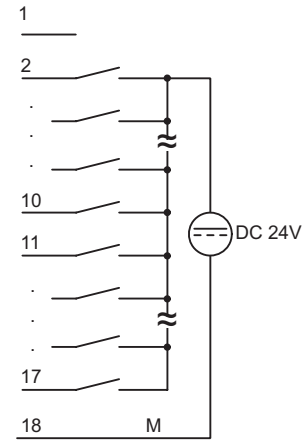
- 16 digital inputs DC 24V
- 14 digital inputs DC 24V and 2 configurable counter inputs (100kHz/16Bit)



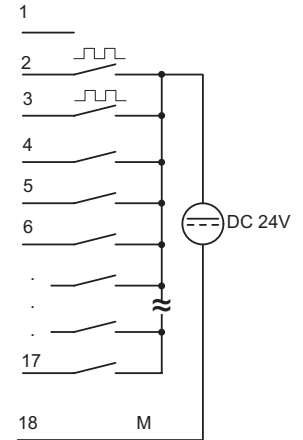
Order No.	Type
VIPA 221-1BH10	DI 16xDC 24V
VIPA 221-1BH20	DI 14xDC 24V, 2 counter

Technical Data	-1BH10	-1BH20
Nominal input voltage	DC 24V	
Number of inputs/counter	16/--	14/2
Input data/counter	2Byte/--	2Byte/4Byte
Input voltage at "1"	DC 15...30V	
Input voltage at "0"	DC 0...5V	
Delay time	3ms	
Operation mode	--	up/down counter
Supply voltage int. bus	5V	
Current consumption int. bus	20mA	

-1BH10



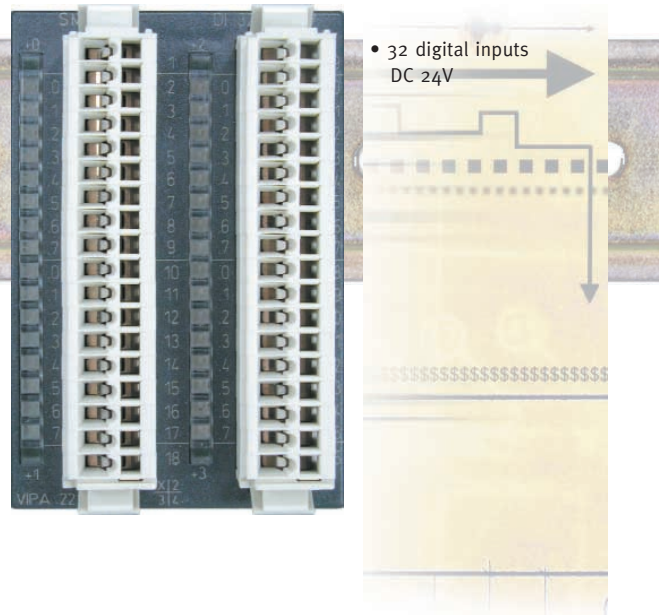
-1BH20





Digital input

Vertical text: Digital input SM 221
DC 24V

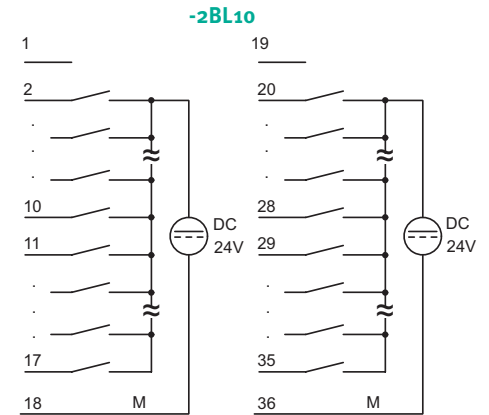


• 32 digital inputs
DC 24V



Order No.	Type
VIPA 221-2BL10	DI 32xDC 24V

Technical Data	-2BL10
Nominal input voltage	DC 24V
Number of inputs	32
Input data	4Byte
Input voltage at "1"	DC 15...30V
Input voltage at "0"	DC 0...5V
Delay time	3ms
Supply voltage int. bus	5V
Current consumption int. bus	50mA



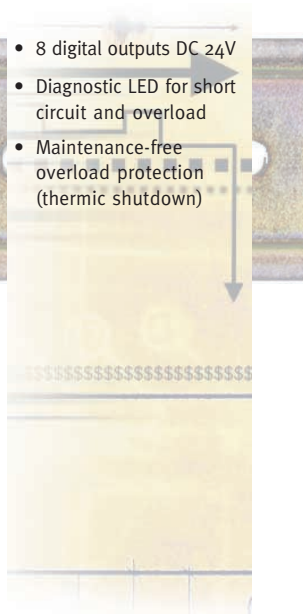


Digital output

Digital output SM 222 DC 24V 1A / 2A

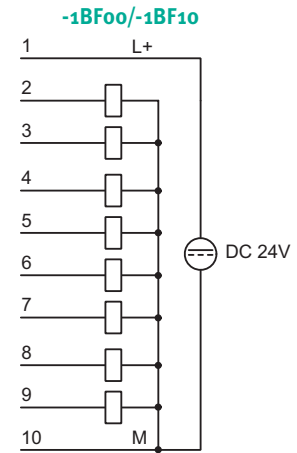


- 8 digital outputs DC 24V
- Diagnostic LED for short circuit and overload
- Maintenance-free overload protection (thermic shutdown)



Order No.	Type
VIPA 222-1BF00	DO 8xDC 24V 1A
VIPA 222-1BF10	DO 8xDC 24V 2A

Technical Data	-1BF00	-1BF10
Nominal load voltage	DC 24V	
Number of outputs	8	
Output data	1Byte	
Output current per channel	1A	2A
Supply voltage int. bus	5V	
Current consumption int. bus	50mA	



Digital output SM 222
DC 30V / AC 230V relay



- 4 or 8 digital relay outputs
AC 230V or DC 30V

SM 222-1HD20

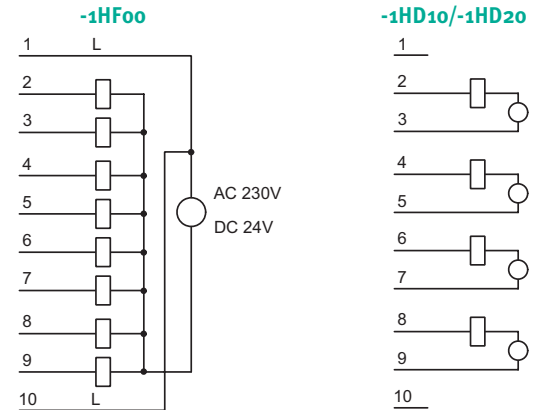
- 4 digital relays with VDE certification
- 16A output current



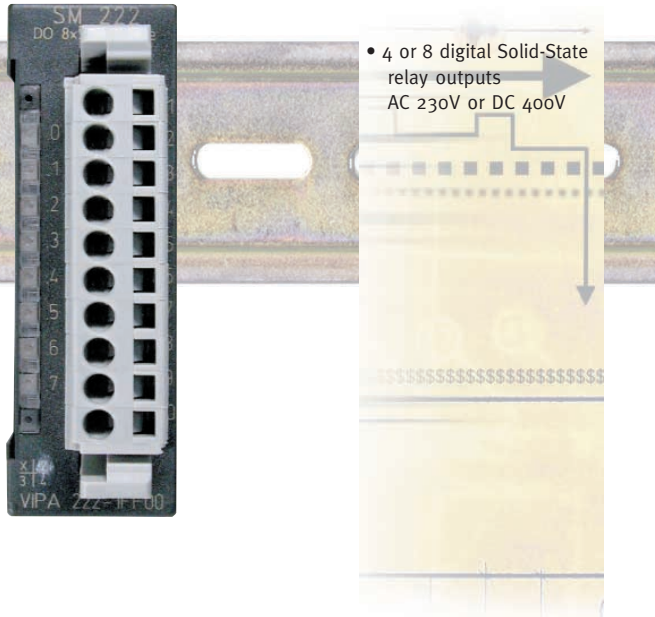
Order No.	Type
-----------	------

VIPA 222-1HF00	DO 8xRelay COM
VIPA 222-1HD10	DO 4xRelay floating
VIPA 222-1HD20	DO 4xRelay floating, bistable

Technical Data	-1HF00	-1HD10	-1HD20
Nominal load voltage	AC 230V / DC 30V		
Number of outputs	8	(up bistable)	
Output data	1Byte		
Potential separation	--	ja	
Output current per channel		5A	16A
Toggle frequency	100Hz		
Supply voltage int. bus	5V		
Current consumption int. bus	250mA	125mA	



Digital solid-state relay output SM 222
AC 230V / DC 400V

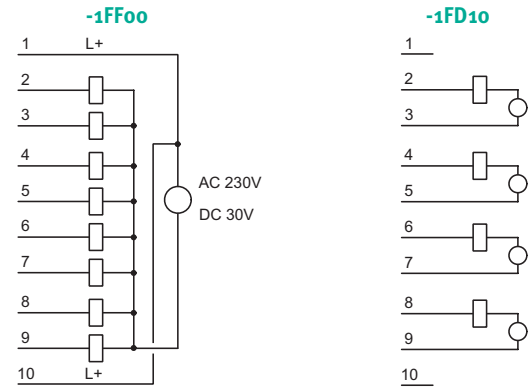


• 4 or 8 digital Solid-State relay outputs
AC 230V or DC 400V



Order No.	Type
VIPA 222-1FF00	DO 8xSolid-State Relay COM
VIPA 222-1FD10	DO 4xSolid-State Relay floating

Technical Data	-1FF00	-1FF00
Nominal load voltage	AC 230V / DC 400V	
Number of outputs	8	8
Output data	1Byte	
Potential separation	--	--
Output current per channel		0.5A
Toggle frequency	100Hz	
Supply voltage int. bus	5V	
Current consumption int. bus	50mA	



Digital output SM 222
DC 24V / DC 24V NPN



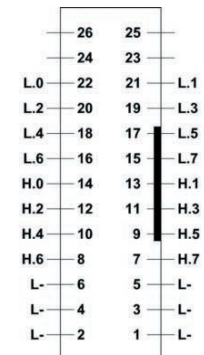
- 16 digital outputs DC 24V
- LEDs for status display at terminal module
- Connection to external terminal module (UB48, UB48D) via round cable for lengths up to 30m



Order No.	Type
VIPA 222-1BH00	DO 16xDC 24V
VIPA 222-1BH50	DO 16xDC 24V NPN
VIPA DEA-UB47	External terminal module 1pole, 2A
VIPA DEA-UB48	External terminal module 1pole
VIPA DEA-UB48D	External terminal module 3pole
VIPA KB91C	Round cable 2m (max. length 30m)

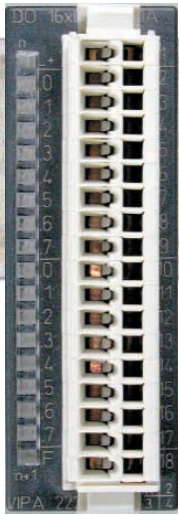
Technical Data	-1BH00	-1BH50
Nominal load voltage	DC 24V	
Number of outputs	16	
Output data	2Byte	
Output current per channel	0.5A	
Supply voltage int. bus	5V	
Current consumption int. bus	100mA	

-1BH00/-1BH50



L.x = Low-Byte, Bit-Nr.x
H.x = High-Byte, Bit-Nr.x
L+ = Verspannung DC 24V
L- = Masse DC 24V

Digital output SM 222
DC 24V



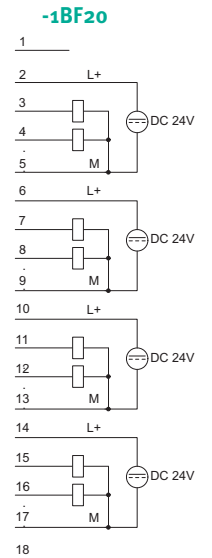
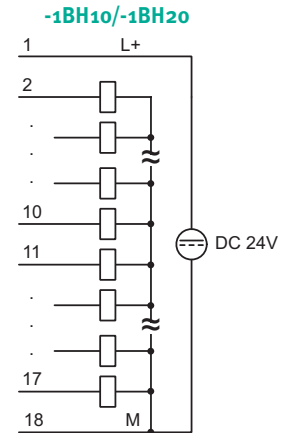
- 8 digital outputs DC 24V
- 16 digital outputs DC 24V
- Diagnostic LED for short circuit and overload
- Maintenance-free overload protection (thermic shutdown)



Order No.	Type
-----------	------

VIPA 222-1BH10	DO 16xDC 24V 1A
VIPA 222-1BH20	DO 16xDC 24V 2A
VIPA 222-1BF20	DO 8xDC 24V 2A

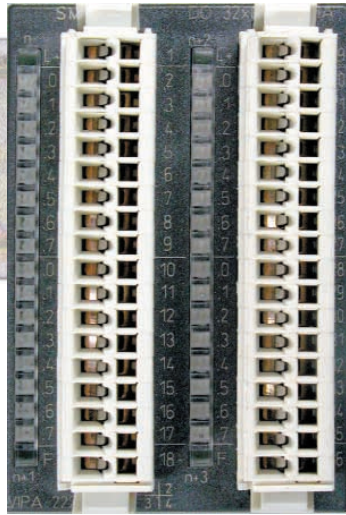
Technical Data	-1BH10	-1BH20	-1BF20
Nominal load voltage	DC 24V		
Number of outputs	16	16	8
Output data	2Byte	2Byte	1Byte
Output current per channel	1A	2A	2A
Max. sum current total	10A	10A	16A
Supply voltage int. bus	5V		
Current consumption int. bus	100mA	100mA	50mA
Potential separation in groups à	16	16	2





Digital output

Digital output SM 222
DC 24V



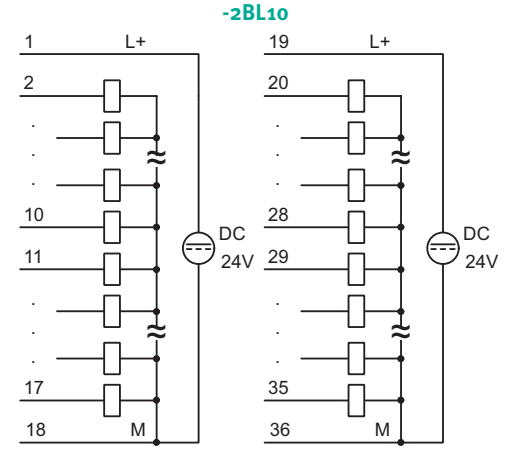
- 32 digital outputs DC 24V
- Diagnostic LED for short circuit and overload
- Maintenance-free overload protection (thermic shutdown)



Order No.	Type
VIPA 222-2BL10	DO 32xDC 24V

Technical Data -2BL10

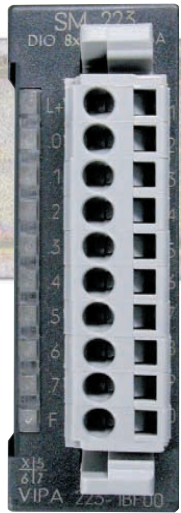
Nominal load voltage	DC 24V
Number of outputs	32
Output data	4Byte
Output current per channel	1A
Supply voltage int. bus	5V
Current consumption int. bus	175mA
Max. sum current per row	10A
Potential separation in groups à	16



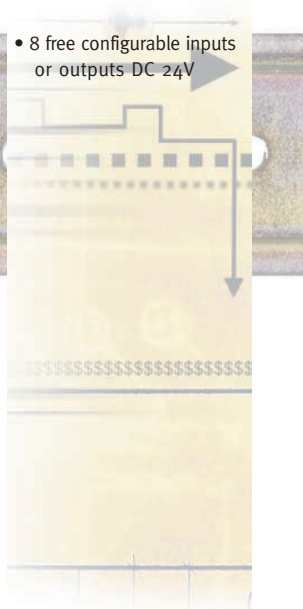


Digital in-/output

Digital in-/output SM 223
DC 24V

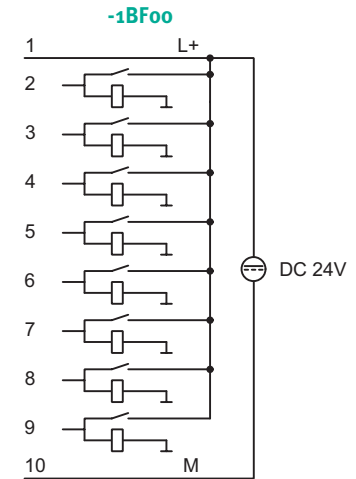


• 8 free configurable inputs or outputs DC 24V

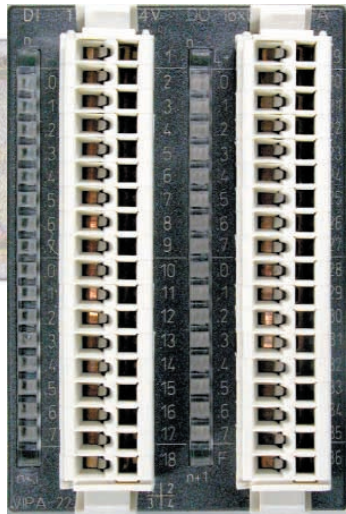


Order No.	Type
VIPA 223-1BF00	DIO 8xDC 24V 1A

Technical Data	-1BF00
Nominal input voltage	DC 24V
Nominal load voltage	DC 24V
Number of in-/outputs	0...8/8...0
In-/output data	1Byte/1Byte
Input voltage at "1"	DC 15...30V
Input voltage at "0"	DC 0...5V
Delay time	3ms
Output current per channel	1A
Supply voltage int. bus	5V
Current consumption int. bus	60mA



Digital in-/output SM 223
DC 24V

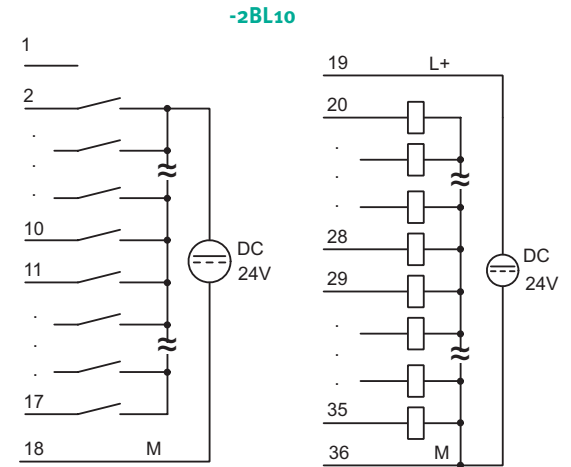


- 16 digital inputs, 16 digital outputs DC 24V
- Diagnostic LED for short circuit and overload
- Maintenance-free overload protection (thermic shutdown)

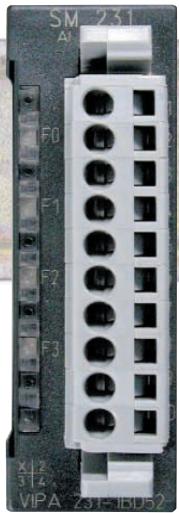


Order No.	Type
VIPA 223-2BL10	DI 16xDC 24V DO 16xDC 24V 1A

Technical Data	-2BL10
Nominal input voltage	DC 24V
Nominal load voltage	DC 24V
Number of in-/outputs	16/16
In-/output data	2Byte/2Byte
Input voltage at "1"	DC 15...30V
Input voltage at "0"	DC 0...5V
Delay time	3ms
Output current per channel	1A
Max. sum output current	10A
Supply voltage int. bus	5V
Current consumption int. bus	100mA



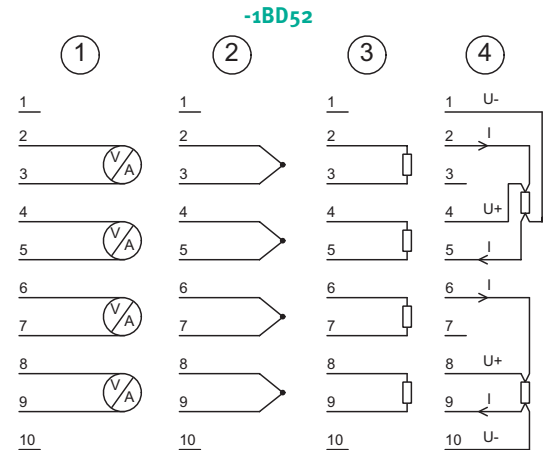
Analog input SM 231
Multiinput



- 2 or 4 free configurable analog inputs
- Parameterizable mean-value generation over several measuring cycles
- Parameterizable integration time

Order No.	Type
VIPA 231-1BD52	AI 4x16Bit Multiinput

Technical Data	-1BD52
Number of inputs	4 or 2 (with 4-wire)
Input data	8Byte
Resolution	12/16Bit
Input resistance	Voltage 100kΩ, Current 50Ω
Integration time	5...70ms
Supply voltage int. bus	5V
Current consumption int. bus	240mA
Input range	Voltage +/-10V, +/-4V, +/-400mV Current 0/4...20mA, +/-20mA Thermo coupler J, K, N, R, S, T (compensation connectable)
	2- or 4-wire connection: Temperature Pt100, Pt1000, Ni100, Ni1000 Resistance 60Ω, 600Ω, 3000Ω



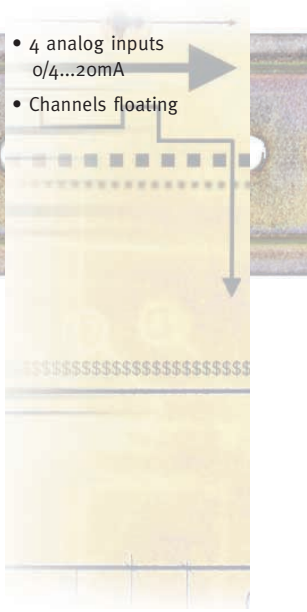


Analog input

Analog input SM 231
0/4...20mA floating

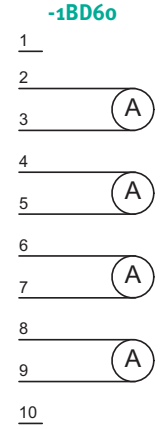


- 4 analog inputs 0/4...20mA
- Channels floating

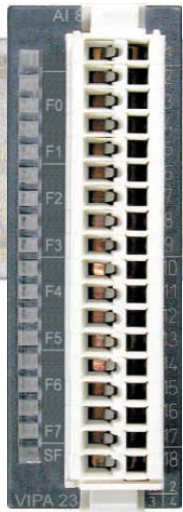


Order No.	Type
VIPA 231-1BD60	AI 4x12Bit 0/4...20mA floating

Technical Data	-1BD60
Number of inputs	4
Input data	8Byte
Resolution	12Bit
Input resistance	20Ω
Integration time	8.6ms
Supply voltage int. bus	5V
Current consumption int. bus	280mA
Input range	0/4...20mA
Channel separation	yes



Analog input SM 231
Pt100, Thermo coupler, 0...60mV

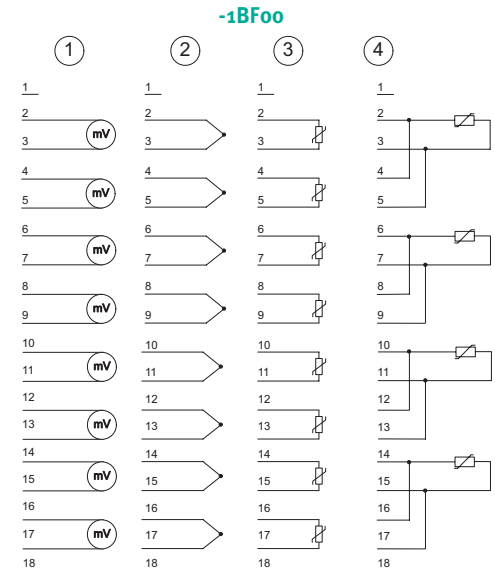


- 4 or 8 configurable inputs
- Parameterizable integration time
- Internal or external temperature compensation



Order No.	Type
VIPA 231-1BFoo	AI 8x16Bit

Technical Data	-1BFoo
Number of inputs	8 or 4 (with 4-wire)
Input data	16Byte
Resolution	16Bit
Input resistance	> 1MΩ
Integration time	80ms
Supply voltage int. bus	5V
Current consumption int. bus	300mA
Input range	Thermo coupler J, K, T Temperature Pt100 0...60mV



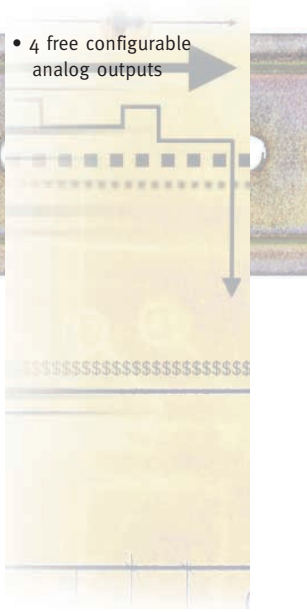


Analog output

Analog output SM 232
Multioutput

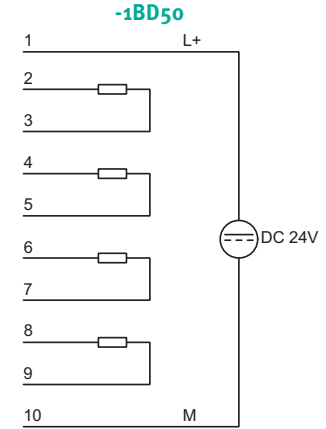


• 4 free configurable analog outputs

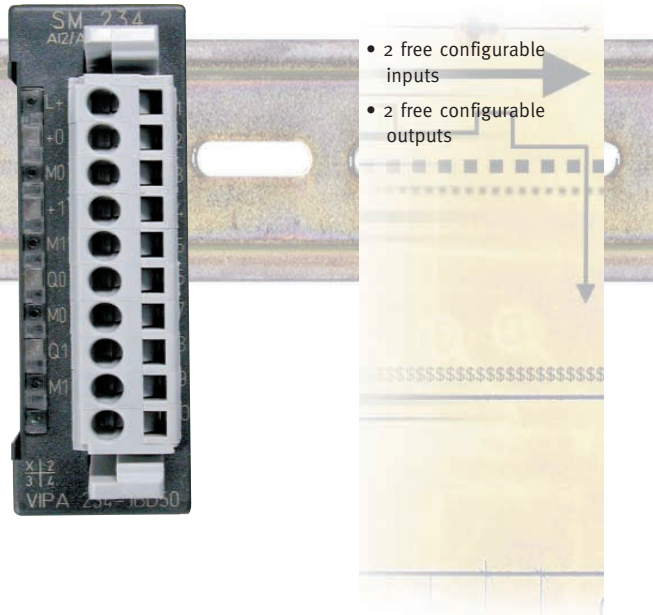


Order No.	Type
VIPA 232-1BD50	AO 4x12Bit Multioutput

Technical Data	-1BD50
Number of outputs	4
Output data	8Byte
Resolution	12Bit
Actuator resistance	Voltage min. 1kΩ, Current max. 500Ω
Supply voltage L+	DC 24V
Supply voltage int. bus	5V
Current consumption int. bus	30mA
Output range	Voltage 0...10V, +/-10V, 1...5V Current 0...20mA, 4...20mA, +/- 20mA



Analog in-/ output SM 234
Multiinput - Multioutput

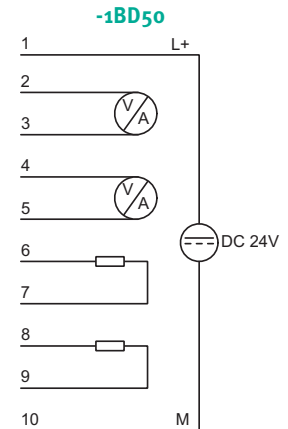


- 2 free configurable inputs
- 2 free configurable outputs



Order No.	Type
VIPA 234-1BD50*	AIO 2x12Bit Multiinput 2x12Bit Multioutput

Technical Data	-1BD50
Number of inputs/outputs	2/2
Input/output data	4Byte/4Byte
Resolution	12Bit
Input resistance	Voltage 100kΩ, Current 50Ω
Actuator resistance	Voltage min. 1kΩ, Current max. 500Ω
Integration time	3ms
Supply voltage L+	DC 24V
Supply voltage int. bus	5V
Current consumption int. bus	110mA
Input/output range	Voltage 0...10V, +/-10V, 1...5V Current 0...20mA, 4...20mA, +/-20mA



* in preparation