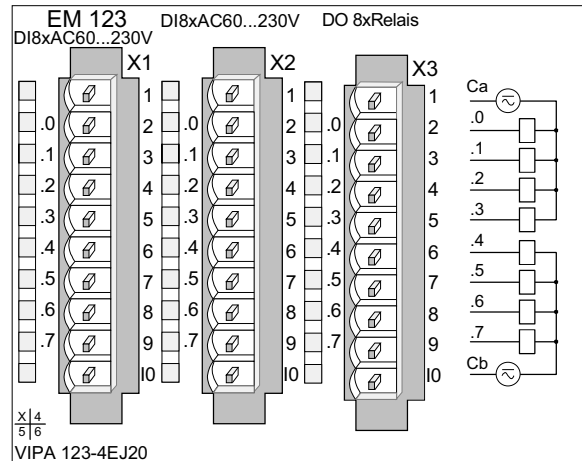


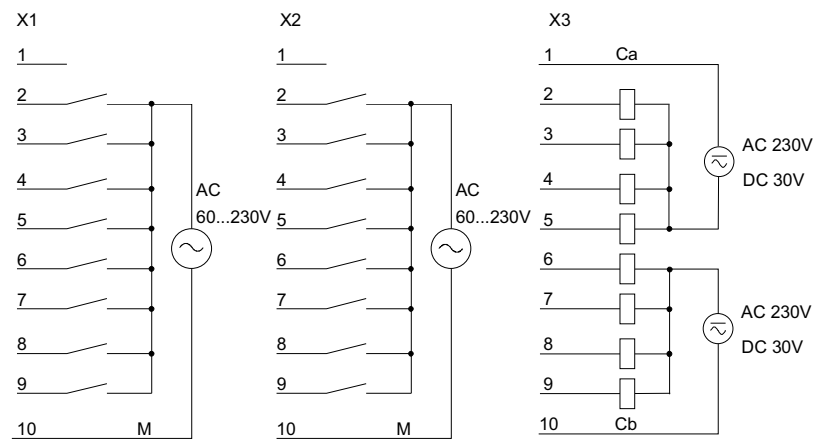
123-4EJ20 - DI 16xAC 60...230V / DO 8xRelay

Structure

Position X1	Position X2	Position X3	Position X4
DI 8xAC 60...230V	DI 8xAC 60...230V	DO 8xRelay	not used

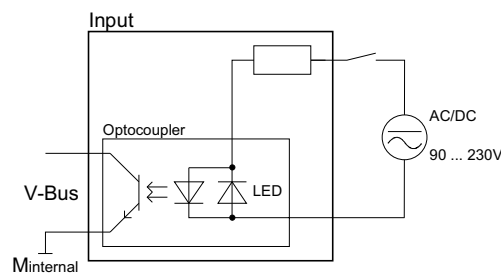


Circuit diagram

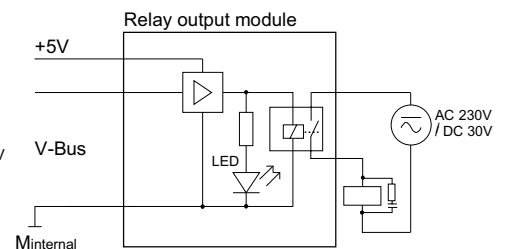


Schematic diagram

Input section



Relay output section



Note: When using inductive load please take an suitable protector (i.e. RC combination).

Technical data

Electrical Data	VIPA 123-4EJ20
Power supply L+	5V via backplane bus
Current consumption per backplane bus	320mA
Potential separation - between channels and back plane bus - between the channel groups	yes yes
Permitted potential difference - between the channel groups	DC 75V / AC 60V
Potential separation	500V _{rms}
Power dissipation of the module	1.6W
Input section	
Number of inputs - in groups of	16 8
Nominal input voltage	AC 60 ... 230V
Signal voltage "0"	AC 0 ... 35V
Signal voltage "1"	AC 60 ... 230V
Input resistor	136kΩ
Input filter time delay - from "0" to "1" - from "1" to "0"	25ms 25ms
Voltage supply	internal
Status monitoring	via LEDs at the front side
Output section	
Number of outputs - in groups of	8 Relay 4 Relay
Nominal load voltage	DC 30V or AC 250V
Length of cable - unshielded	600m
Sum current per group	8A
Output current - for resistive load - for inductive load - for capacitive load - for lamp load	max. 5A max. 250mA max. 250mA max. 500mA
Output delay resistive load - from "0" to "1" - from "1" to "0"	6ms 3ms
Parallel connection of 2 outputs	not possible
Switch rate max. - for resistive load	10Hz
Short-circuit protection of the output	no
Status monitoring	via LEDs at the front side
Dimensions and Weight	
Dimensions (WxHxD) in mm	101,6 x 76 x 48
Weight	250g