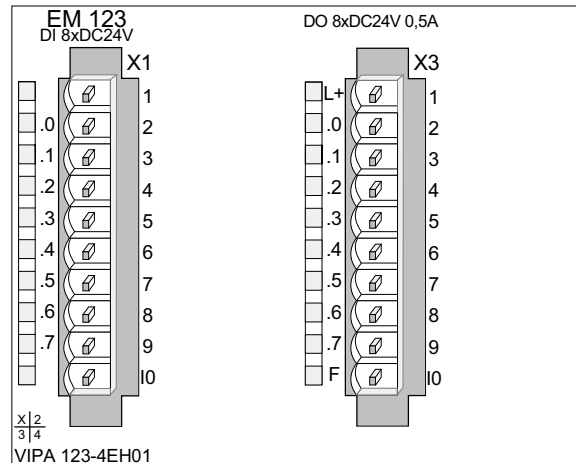


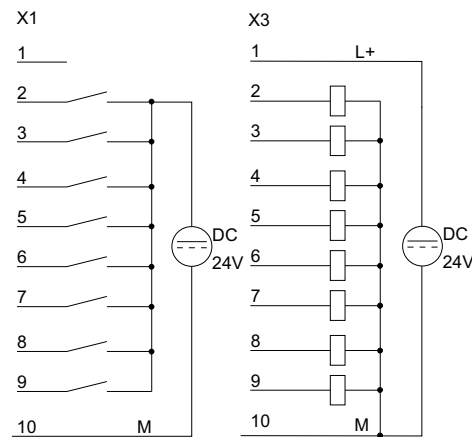
123-4EH01 - DI 8xDC 24V / DO 8xDC 24V 0.5A

Structure

Position X1	Position X2	Position X3	Position X4
DI 8xDC 24V	not used	DO 8xDC 24V 0.5A	not used

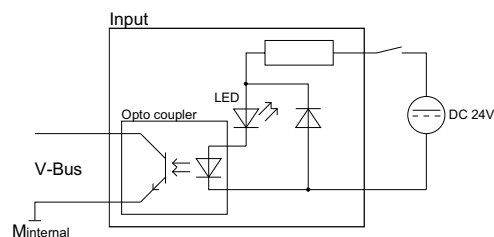


Circuit diagram

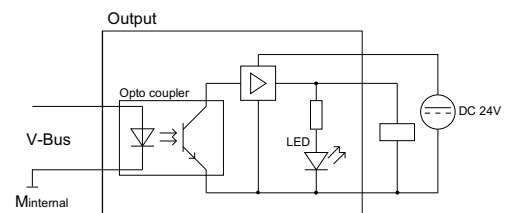


Schematic diagram

Input section



Output section



Technical data

Electrical Data	VIPA 123-4EH01
Current consumption per backplane bus	60mA
Input section	
Number of inputs	8
Nominal input voltage	DC 24V
Signal voltage "0"	0 ... 5V
Signal voltage "1"	15 ... 28.8V
Input filter time delay	3ms
Input current	typ. 7mA
Voltage supply	internal
Potential separation	500V _{rms} (field voltage-backplane bus)
Status monitoring	via LEDs at the front side
Output section	
Number of outputs	8
Nominal load voltage	DC 24V via external power supply
Current consumption at L+ without load (all A.x=on)	50mA
Output current per channel	0.5A short circuit resistant
Switch rate max. - for resistive load - for inductive load	1kHz 0.5Hz
Limit (internal) of the inductive circuit interruption voltage	typ. L+ (-52V)
Status monitoring	via LEDs at the front side
Dimensions and Weight	
Dimensions (WxHxD) in mm	101.6x76x48
Weight	200g